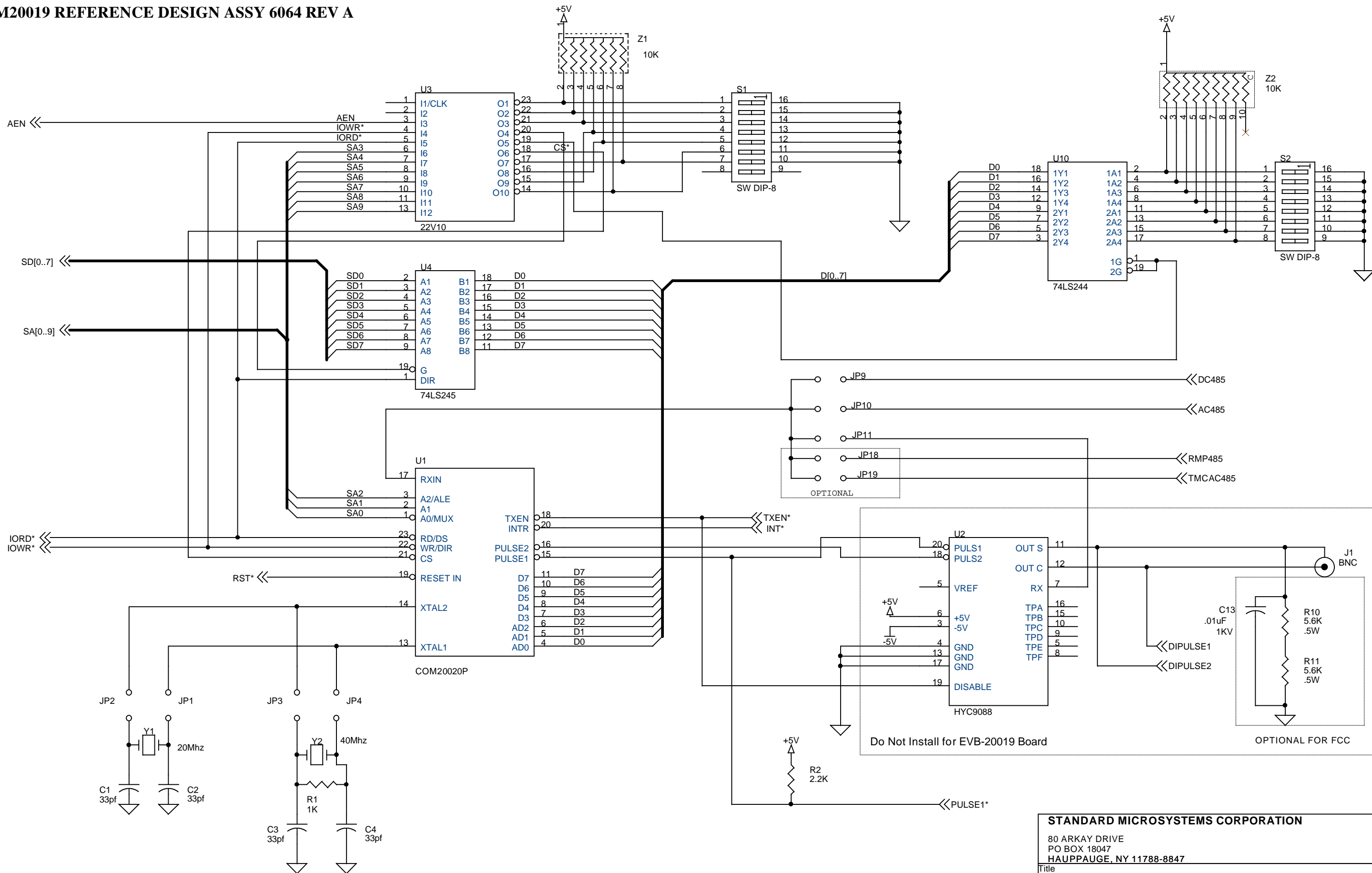


# SMSC COM20019 REFERENCE DESIGN ASSY 6064 REV A

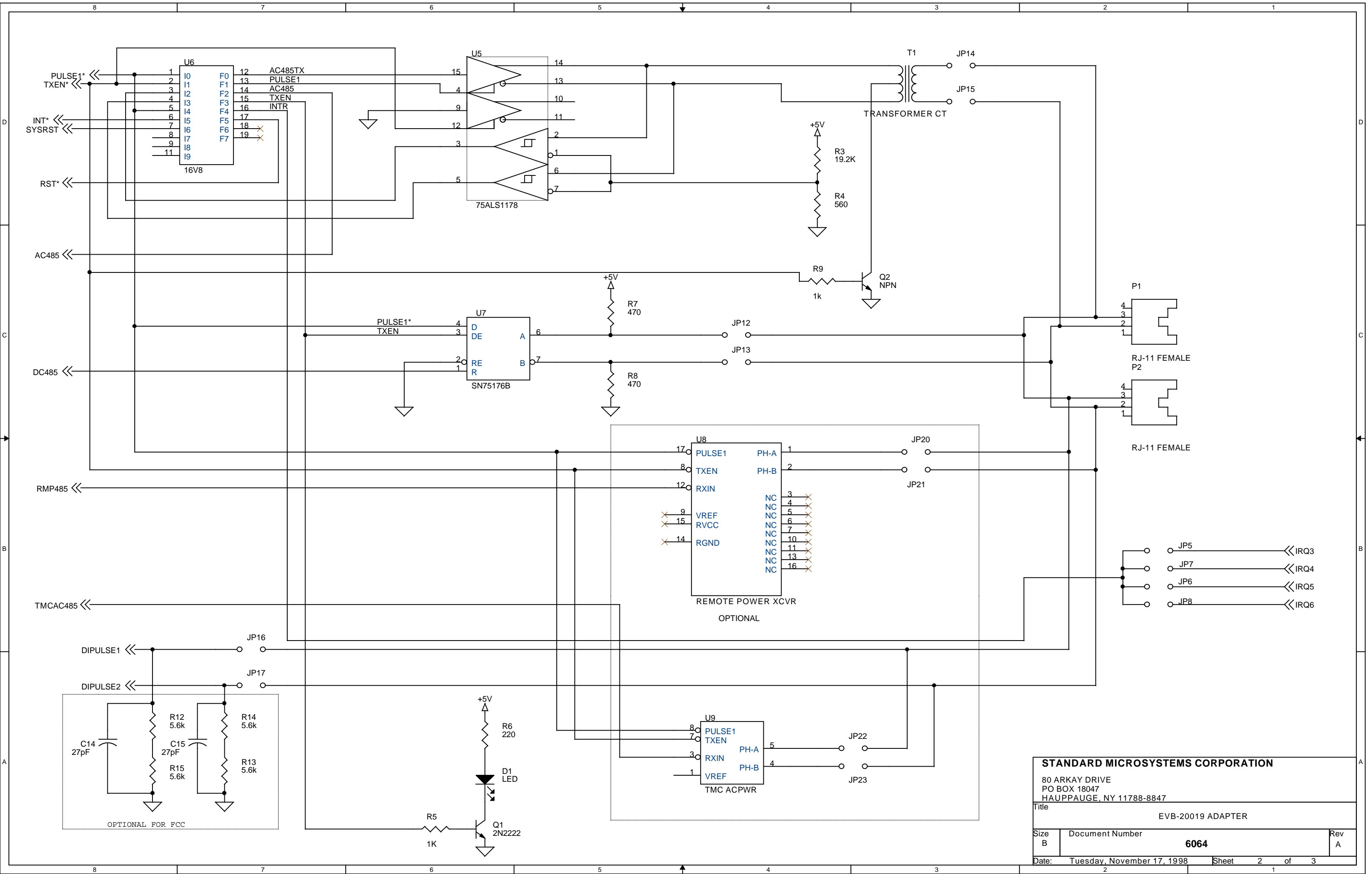


**STANDARD MICROSYSTEMS CORPORATION**  
 80 ARKAY DRIVE  
 PO BOX 18047  
 HAUPPAUGE, NY 11788-8847

Title: EVB-20019 ADAPTER

Size B	Document Number	Rev A
	<b>6064</b>	

Date: Tuesday, November 17, 1998 Sheet 1 of 3

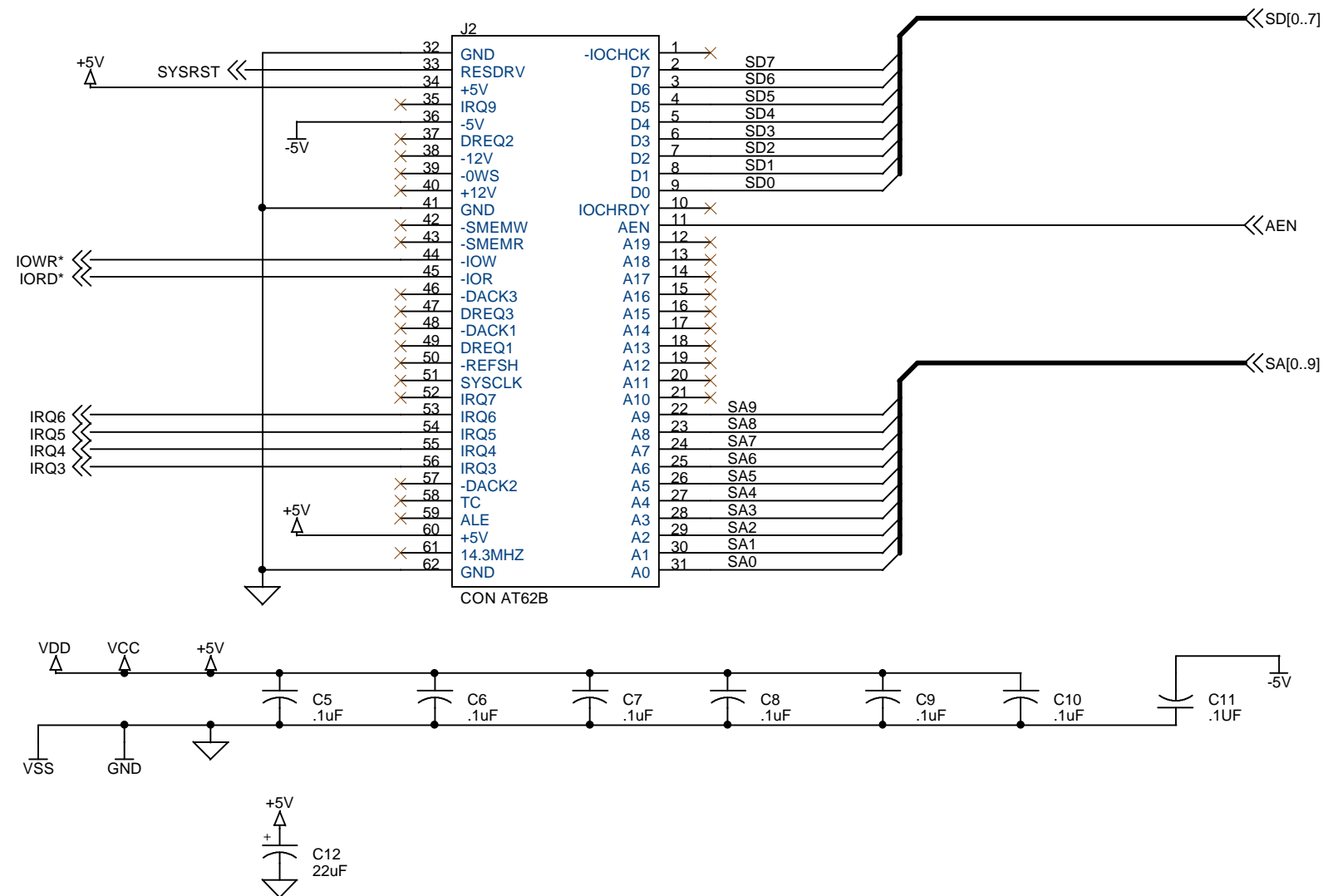


**STANDARD MICROSYSTEMS CORPORATION**  
 80 ARKAY DRIVE  
 PO BOX 18047  
 HAUPPAUGE, NY 11788-8847

Title: EVB-20019 ADAPTER

Size B	Document Number	Rev A
	<b>6064</b>	

Date: Tuesday, November 17, 1998 Sheet 2 of 3



<b>STANDARD MICROSYSTEMS CORPORATION</b>		
80 ARKAY DRIVE PO BOX 18047 HAUPPAUGE, NY 11788-8847		
Title EVB-20019 ADAPTER		
Size B	Document Number <b>6064</b>	Rev A
Date: Tuesday, November 17, 1998	Sheet 3	of 3