

EMC1043/1053/1063 Customer Evaluation Board

Design Details

Board:

Assembly 7040 Revision B00

Chip:

EMC1043, 1053 and 1063 Temperature Monitors

Package:

8 pin MSOP

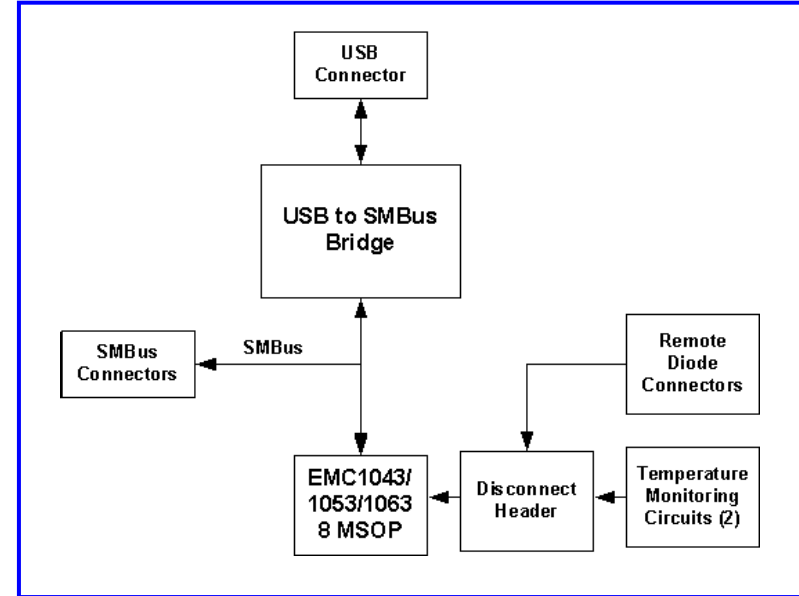
Board Form Factor:

Customer EVB 1.25" x 2.75"

Schematic Page Description	Page #
Title Page	1
EMC1043/1053/1063 and Diodes	2
USB to SMBus Bridge	3

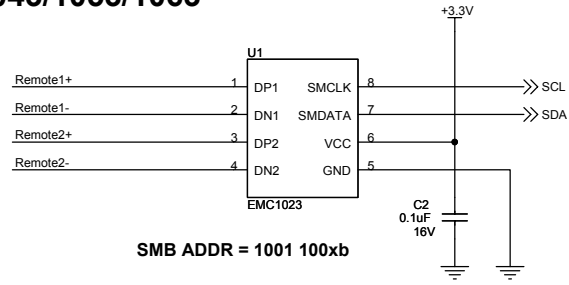
Circuit Diagrams utilizing SMSC Products Are Included As A Means Of Illustrating Typical Semiconductor Applications: Consequently Complete Information Sufficient For Construction Purposes Is Not Necessarily Given. The Information Has Been Carefully Checked And Is Believed To Be Entirely Reliable. However, No Responsibility Is Assumed For Inaccuracies. Furthermore, Such Information Does Not Convey To The Purchaser Of The Semiconductor Devices Described Any License Under The Patent Rights Of SMSC Or Others. SMSC Reserves The Right To Make Changes At Any Time In Order To Improve Design And Supply The Best Product Possible.

System Block Diagram

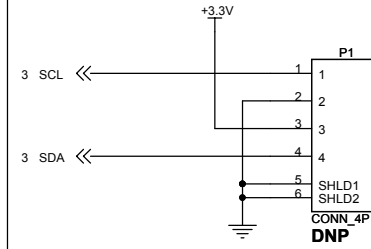


 SMSC TM SUCCESS BY DESIGN		3930 East Ray Road Suite 200 Phoenix, Arizona 85044 480-759-0200
Title: EMC1043/1053/1063 Customer EVB		
Size: B	Document Number: SCH-7040	Rev: B0
Date: Monday, December 19, 2005		Sheet 1 of 3

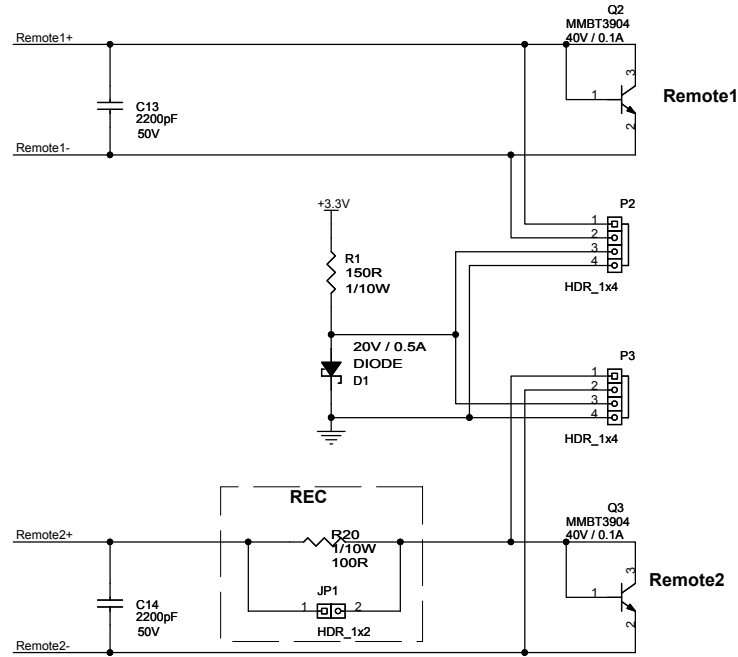
EMC1043/1053/1063



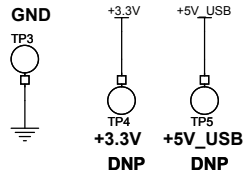
SMBus Connector



Remote Diodes



Test Points



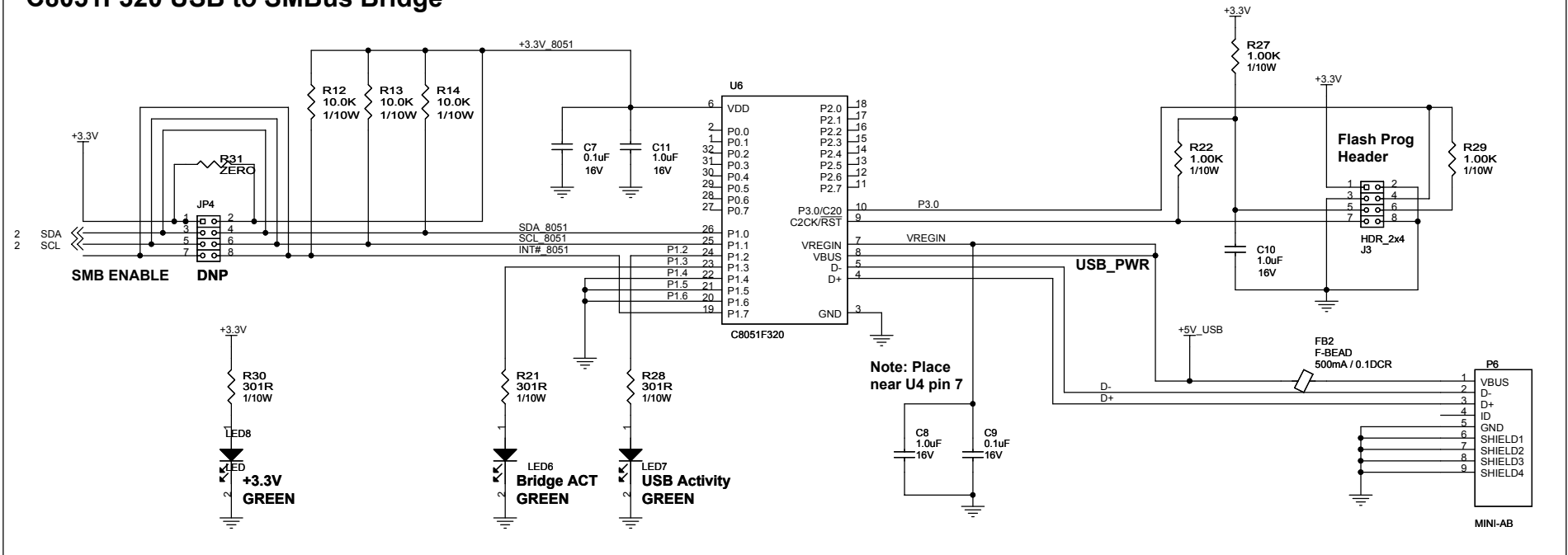
Title
EMC1043/1053/1063 and Diodes


Size B Document Number
SCH-7040

Rev
B0

Date: Monday, December 19, 2005 Sheet 2 of 3

C8051F320 USB to SMBus Bridge





3930 East Ray Road
Suite 200
Phoenix, Arizona 85044
480-758-0200

Title		
USB to SMBus Bridge		
Size	Document Number	Rev
B	SCH-7040	B0
Date:	Monday, December 19, 2005	Sheet 3 of 3