

# SMSC LAN91C110 ISA MAC REFERENCE DESIGN

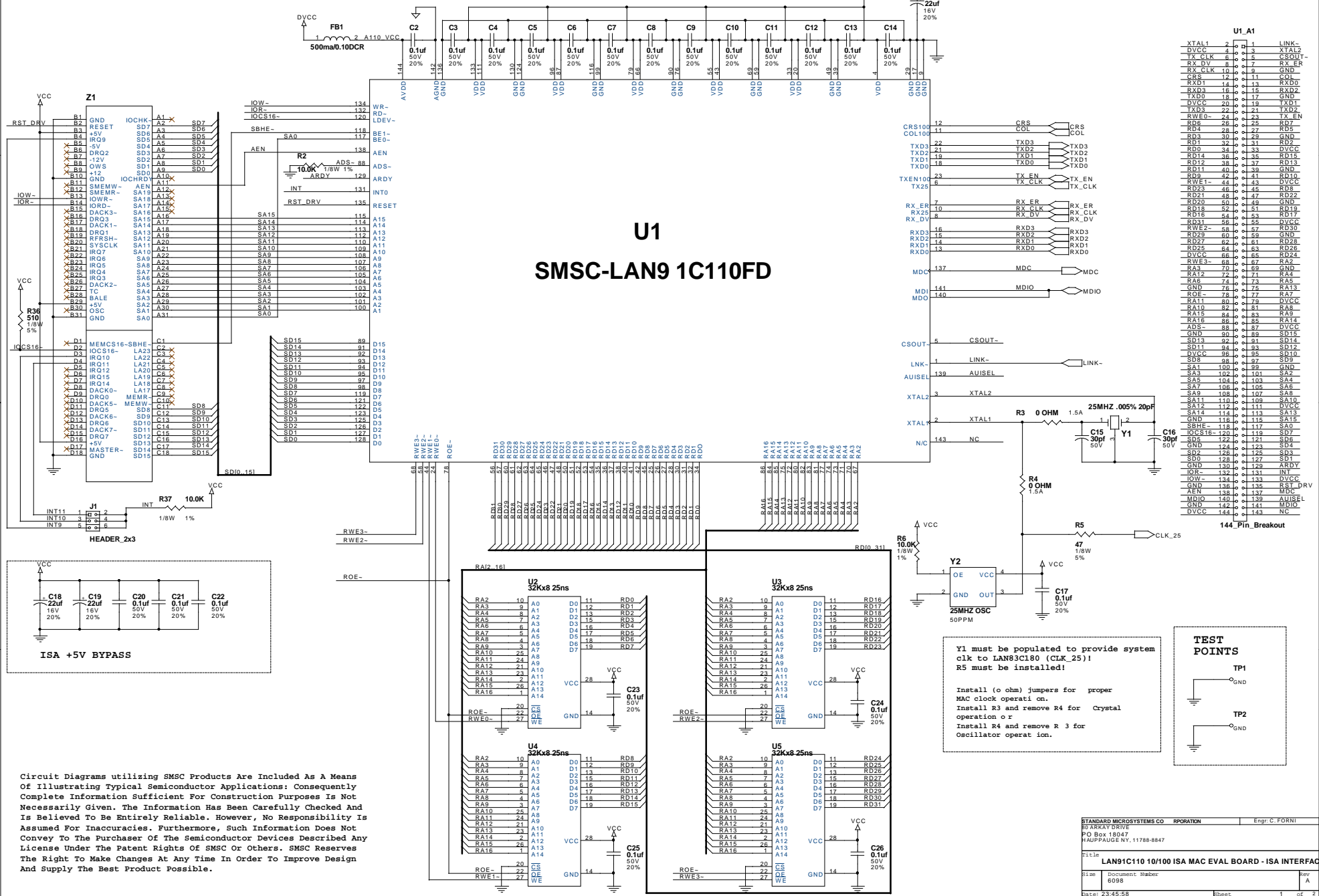
## SHEET 1: ISA INTERFACE

### ASSY-6098 REV A - RELEASE

REVISION NOTES:	
Rev:	Notes:
Rev 1.0	INITIAL RELEASE

Connect Digital GND to Analog GND on Plane

Use Planes for U1 Power and U1 Gnd's

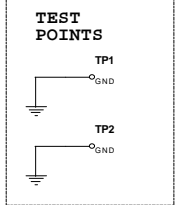


U1_A1	Pin	Signal	Link
XTAL1	2	XTAL1	LINK-
DVCC	3	DVCC	XTAL2
TX_CLK	4	TX_CLK	CSOUT-
RX_ER	5	RX_ER	RX_ER
RX_CLK	6	RX_CLK	GND
CRS	12	CRS	COL
TXD0	17	TXD0	TXD0
RXD0	18	RXD0	RXD0
TXD1	19	TXD1	TXD1
TXD2	20	TXD2	TXD2
TXD3	21	TXD3	TXD3
TXD4	22	TXD4	TXD4
TXD5	23	TXD5	TXD5
TXD6	24	TXD6	TXD6
TXD7	25	TXD7	TXD7
TXD8	26	TXD8	TXD8
TXD9	27	TXD9	TXD9
TXD10	28	TXD10	TXD10
TXD11	29	TXD11	TXD11
TXD12	30	TXD12	TXD12
TXD13	31	TXD13	TXD13
TXD14	32	TXD14	TXD14
TXD15	33	TXD15	TXD15
TXD16	34	TXD16	TXD16
TXD17	35	TXD17	TXD17
TXD18	36	TXD18	TXD18
TXD19	37	TXD19	TXD19
TXD20	38	TXD20	TXD20
TXD21	39	TXD21	TXD21
TXD22	40	TXD22	TXD22
TXD23	41	TXD23	TXD23
TXD24	42	TXD24	TXD24
TXD25	43	TXD25	TXD25
TXD26	44	TXD26	TXD26
TXD27	45	TXD27	TXD27
TXD28	46	TXD28	TXD28
TXD29	47	TXD29	TXD29
TXD30	48	TXD30	TXD30
TXD31	49	TXD31	TXD31
TXD32	50	TXD32	TXD32
TXD33	51	TXD33	TXD33
TXD34	52	TXD34	TXD34
TXD35	53	TXD35	TXD35
TXD36	54	TXD36	TXD36
TXD37	55	TXD37	TXD37
TXD38	56	TXD38	TXD38
TXD39	57	TXD39	TXD39
TXD40	58	TXD40	TXD40
TXD41	59	TXD41	TXD41
TXD42	60	TXD42	TXD42
TXD43	61	TXD43	TXD43
TXD44	62	TXD44	TXD44
TXD45	63	TXD45	TXD45
TXD46	64	TXD46	TXD46
TXD47	65	TXD47	TXD47
TXD48	66	TXD48	TXD48
TXD49	67	TXD49	TXD49
TXD50	68	TXD50	TXD50
TXD51	69	TXD51	TXD51
TXD52	70	TXD52	TXD52
TXD53	71	TXD53	TXD53
TXD54	72	TXD54	TXD54
TXD55	73	TXD55	TXD55
TXD56	74	TXD56	TXD56
TXD57	75	TXD57	TXD57
TXD58	76	TXD58	TXD58
TXD59	77	TXD59	TXD59
TXD60	78	TXD60	TXD60
TXD61	79	TXD61	TXD61
TXD62	80	TXD62	TXD62
TXD63	81	TXD63	TXD63
TXD64	82	TXD64	TXD64
TXD65	83	TXD65	TXD65
TXD66	84	TXD66	TXD66
TXD67	85	TXD67	TXD67
TXD68	86	TXD68	TXD68
TXD69	87	TXD69	TXD69
TXD70	88	TXD70	TXD70
TXD71	89	TXD71	TXD71
TXD72	90	TXD72	TXD72
TXD73	91	TXD73	TXD73
TXD74	92	TXD74	TXD74
TXD75	93	TXD75	TXD75
TXD76	94	TXD76	TXD76
TXD77	95	TXD77	TXD77
TXD78	96	TXD78	TXD78
TXD79	97	TXD79	TXD79
TXD80	98	TXD80	TXD80
TXD81	99	TXD81	TXD81
TXD82	100	TXD82	TXD82
TXD83	101	TXD83	TXD83
TXD84	102	TXD84	TXD84
TXD85	103	TXD85	TXD85
TXD86	104	TXD86	TXD86
TXD87	105	TXD87	TXD87
TXD88	106	TXD88	TXD88
TXD89	107	TXD89	TXD89
TXD90	108	TXD90	TXD90
TXD91	109	TXD91	TXD91
TXD92	110	TXD92	TXD92
TXD93	111	TXD93	TXD93
TXD94	112	TXD94	TXD94
TXD95	113	TXD95	TXD95
TXD96	114	TXD96	TXD96
TXD97	115	TXD97	TXD97
TXD98	116	TXD98	TXD98
TXD99	117	TXD99	TXD99
TXD100	118	TXD100	TXD100
TXD101	119	TXD101	TXD101
TXD102	120	TXD102	TXD102
TXD103	121	TXD103	TXD103
TXD104	122	TXD104	TXD104
TXD105	123	TXD105	TXD105
TXD106	124	TXD106	TXD106
TXD107	125	TXD107	TXD107
TXD108	126	TXD108	TXD108
TXD109	127	TXD109	TXD109
TXD110	128	TXD110	TXD110
TXD111	129	TXD111	TXD111
TXD112	130	TXD112	TXD112
TXD113	131	TXD113	TXD113
TXD114	132	TXD114	TXD114
TXD115	133	TXD115	TXD115
TXD116	134	TXD116	TXD116
TXD117	135	TXD117	TXD117
TXD118	136	TXD118	TXD118
TXD119	137	TXD119	TXD119
TXD120	138	TXD120	TXD120
TXD121	139	TXD121	TXD121
TXD122	140	TXD122	TXD122
TXD123	141	TXD123	TXD123
TXD124	142	TXD124	TXD124
TXD125	143	TXD125	TXD125

Circuit Diagrams utilizing SMSC Products are Included as a Means of Illustrating Typical Semiconductor Applications. Consequently Complete Information Sufficient for Construction Purposes is Not Necessarily Given. The Information Has Been Carefully Checked and Is Believed to Be Entirely Reliable. However, No Responsibility is Assumed for Inaccuracies. Furthermore, Such Information Does Not Convey to The Purchaser of The Semiconductor Devices Described Any License Under The Patent Rights of SMSC or Others. SMSC Reserves The Right to Make Changes at Any Time in Order to Improve Design and Supply The Best Product Possible.

Y1 must be populated to provide system clk to LAN83C180 (CLK\_25)! R5 must be installed!

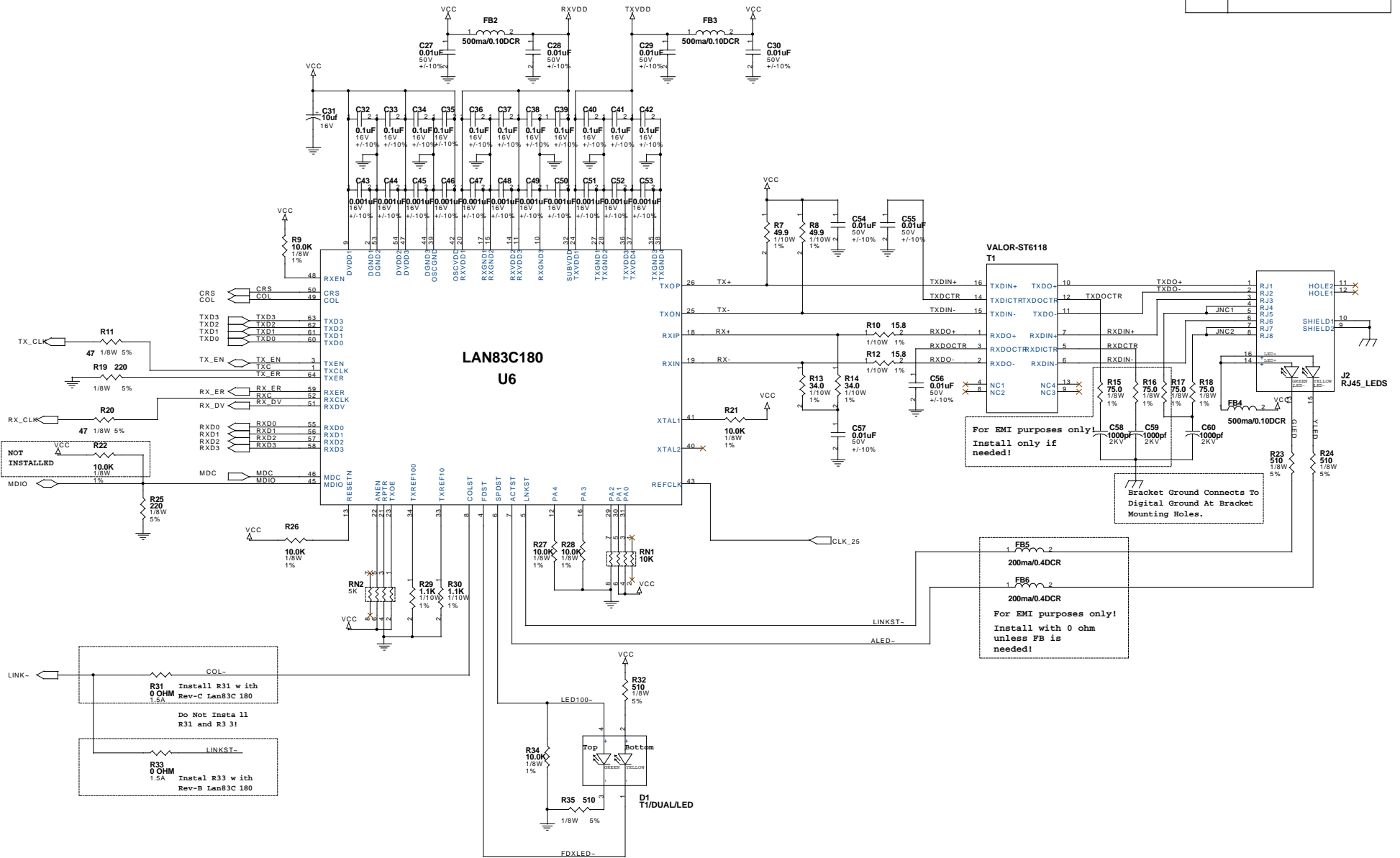
Install (0 ohm) jumpers for proper MAC clock operation.  
Install R4 and remove R4 for Crystal operation o r  
Install R4 and remove R 3 for Oscillator operation.



STANDARD MICROSYSTEMS CO	APPROXIMATE	Engr. C. FORNI
BY ARKAY DRIVE PO Box 18047 HUNTSVILLE, TN 37884-8847		
Title: LAN91C110 10/100 ISA MAC EVAL BOARD - ISA INTERFACE		
Size: Document Number: 6098	Sheet: 1	Rev: A
Date: 23/4/88		

**SMSC LAN91C110 ISA MAC REFERENCE DESIGN**  
**SHEET 2: PHYSICAL LAYER INTERFACE**  
**ASSY-6098 REV A - RELEASE**

REVISION NOTES:	
Rev:	Notes:
Rev 1.0	- INITIAL RELEASE



Circuit Diagrams utilizing SMSC Products Are Included As A Means of Illustrating Typical Semiconductor Applications; Consequently Complete Information Sufficient For Construction Purposes Is Not Necessarily Given. The Information Has Been Carefully Checked And Is Believed To Be Entirely Reliable. However, No Responsibility Is Assumed For Inaccuracies. Furthermore, Such Information Does Not Convey To The Purchaser Of The Semiconductor Devices Described Any License Under The Patent Rights of SMSC Or Others. SMSC Reserves The Right To Make Changes At Any Time In Order To Improve Design And Supply The Best Product Possible.

STANDARD MICROSYSTEMS CORPORATION	Engr: C. FORNI
80 ARKAY DRIVE PO Box 18047 HAUPPAUGE NY, 11788-8847	
Title: LAN91C110 110/ISA MAC EVAL BOARD - PHY INTERFACE	Rev: A
Size: Document Number 6098	Rev: A
Date: 23/45/88	Sheet: 2 of 2