


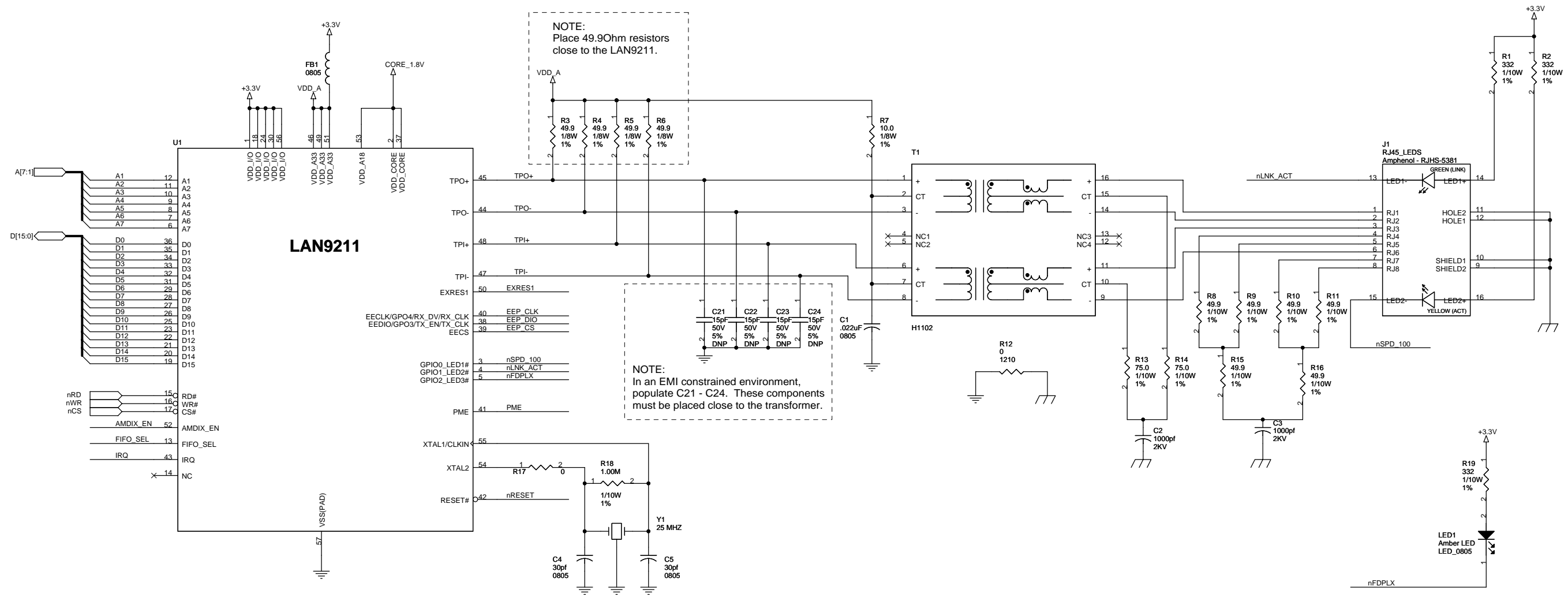
LAN9211 Reference Design

Revision 0.6

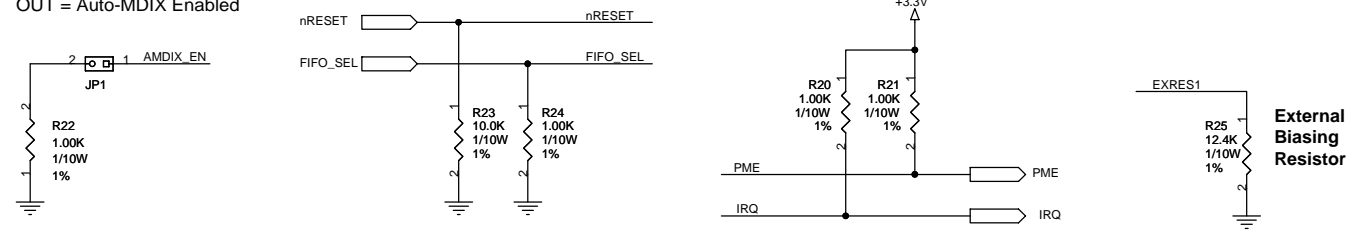
Circuit Diagrams utilizing SMSC Products Are Included As A Means Of Illustrating Typical Semiconductor Applications: Consequently Complete Information Sufficient For Construction Purposes Is Not Necessarily Given. The Information Has Been Carefully Checked And Is Believed To Be Entirely Reliable. However, No Responsibility Is Assumed For Inaccuracies. Furthermore, Such Information Does Not Convey To The Purchaser Of The Semiconductor Devices Described Any License Under The Patent Rights Of SMSC Or Others. SMSC Reserves The Right To Make Changes At Any Time In Order To Improve Design And Supply The Best Product Possible.

ITEM	Page(s)
Title Page	1
LAN9211	2

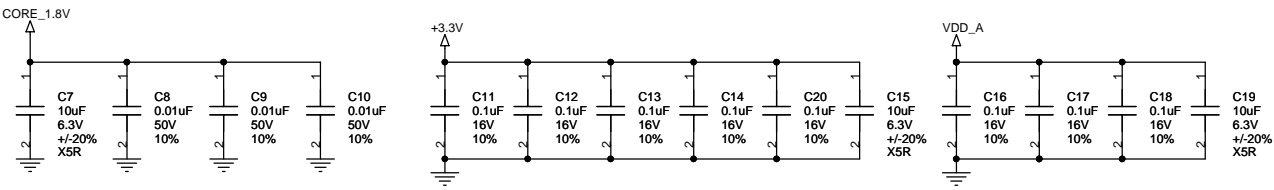
			
Title LAN9211 Reference Design			
Size C	Engineer S. Wynhurst	Assembly No.	Rev 0.6
Date: Thursday, January 03, 2008		Sheet 1 of 2	



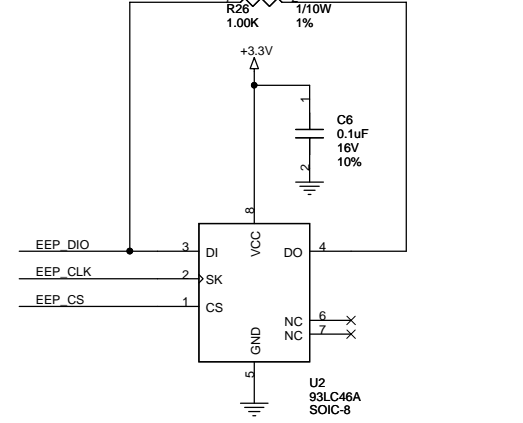
NOTE:
IN = Auto-MDIX Disabled
OUT = Auto-MDIX Enabled



Decoupling Capacitors



MAC EEPROM (Optional)



SMSC
SUCCESS BY DESIGN

Title: **LAN9211 Reference Design**

Size C	Engineer S. Wynhurst	Assembly No.	Rev 0.6
Date: Thursday, January 03, 2008	Sheet 2 of 2		