


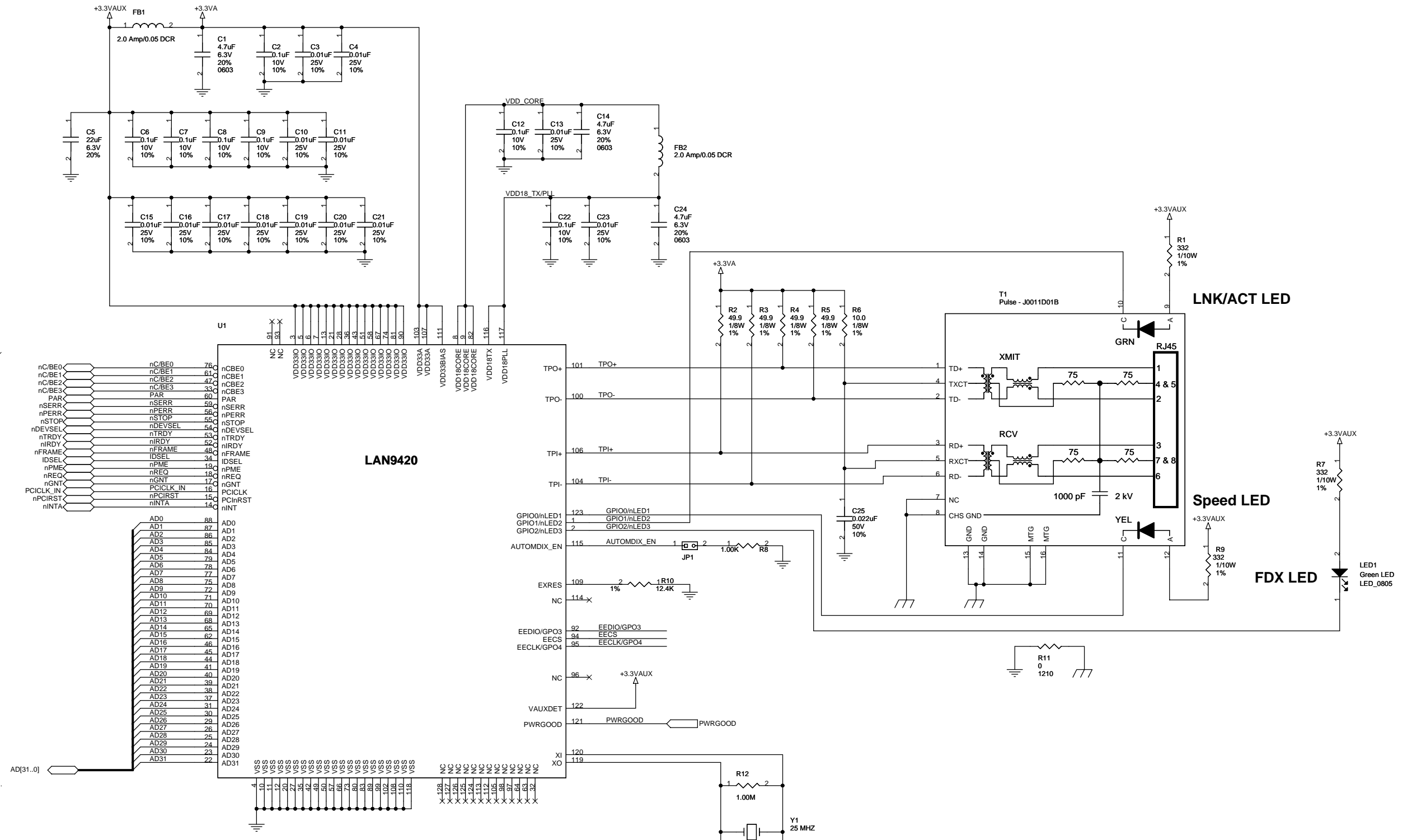
LAN9420 128-VTQFP Reference Design

Schematic Revision 0.2

Circuit Diagrams utilizing SMSC Products Are Included As A Means Of Illustrating Typical Semiconductor Applications: Consequently Complete Information Sufficient For Construction Purposes Is Not Necessarily Given. The Information Has Been Carefully Checked And Is Believed To Be Entirely Reliable. However, No Responsibility Is Assumed For Inaccuracies. Furthermore, Such Information Does Not Convey To The Purchaser Of The Semiconductor Devices Described Any License Under The Patent Rights Of SMSC Or Others. SMSC Reserves The Right To Make Changes At Any Time In Order To Improve Design And Supply The Best Product Possible.

ITEM	Page
Title Page	1
LAN9420	2

			
Title LAN9420 128-VTQFP Reference Design			
Size C	Engineer	Assembly No.	Rev 0.2
Date: Wednesday, April 02, 2008		Sheet 1 of 2	



3.3V PCI Interface

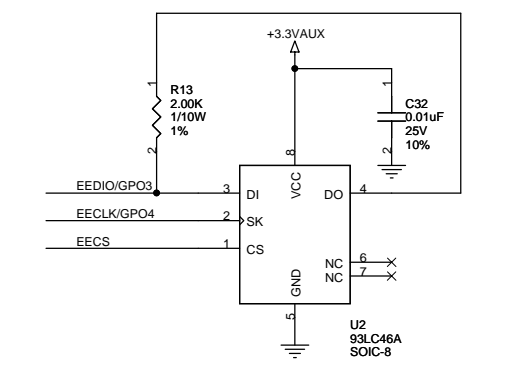
LAN9420

LNK/ACT LED

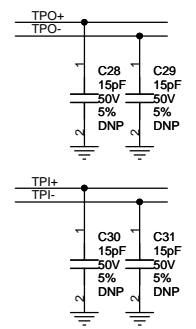
Speed LED

FDX LED

Microwire Serial EEPROM (Optional)



These capacitors are required for operation in an EMI constrained environment. When used, these capacitors must be placed close to the transformer.



SMSC
SUCCESS BY DESIGN

Title: **LAN9420 128-VTQFP Reference Design**

Size C	Engineer	Assembly No.	Rev 0.2
Date: Tuesday, April 08, 2008	Sheet 2 of 2		